



Model: KOT-0215U-CA4P

21.5" LCD Pure Flat PCAP Touch Monitor

(Water -proof, high brightness)

Product Feature

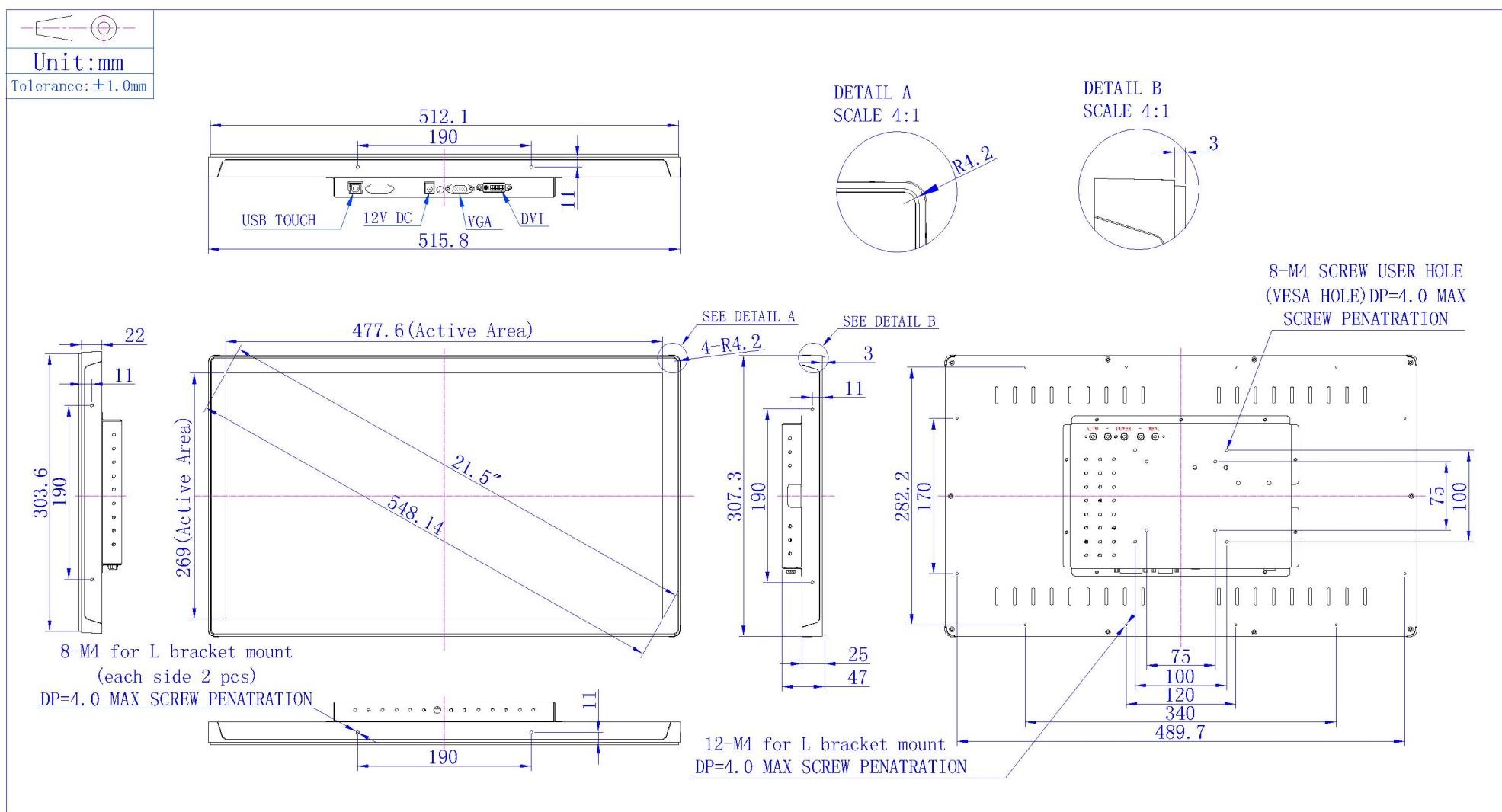
- ◆ KeeTouch's Projected Capacitive technology on pure glass for the ultimate in image quality.
- ◆ Long lasting product cycle-enclosure controlled by KeeTouch specifications.
- ◆ Future generation panels phased-in without external changes.
- ◆ High quality panel with high resolution and high contrast ratio .
- ◆ Multiple mounting options including horizontal bracket mount, vertical bracket mount and VESA mount.
- ◆ Easy integration from side.
- ◆ Finger or stylus operation.
- ◆ USB touch interface port.
- ◆ VGA and DVI input video format.
- ◆ Worldwide agency approvals.
- ◆ CCC, ETL, FCC, CE, CB, RoHS certificates.

Specification

| | | |
|--|---|---|
| Model No. | KOT-0215U-CA4P | |
| Series | OT, Pure Flat | |
| Display Type | 16:9 Ratio 21.5" Active Matrix TFT-LCD, LED Backlight | |
| Display Active Area | 18.77"(476.64mm)×10.56"(268.11mm) | |
| Touch Active Area | 477.64mm×269mm | |
| Monitor Dimensions | Width: 515.8mm Height: 307.3mm Depth: 47mm for 4.3mm Touchscreen | |
| Suggested Resolution | 1920×1080 @ 60Hz | |
| Support Colors | 16.7M | |
| Brightness(Typ.) | Pure LCD Panel | 1500cd/m ² |
| | With Projected Capacitive Touchscreen | 1275cd/m ² |
| Display Response Time(Typ.) | 5ms | |
| Viewing Angle (Typ.at CR>10) | Horizontal(Left/Right) | 85°/85° |
| | Vertical(Up/Down) | 80°/80° |
| Contrast Ratio(Typ.) | 1000:1 | |
| Video Input | VGA and DVI | |
| Frequency(H/V) | 30~80KHz / 60~75Hz | |
| Power Supply | Type: External Brick Input (Line) Voltage: 100-240 VAC, 50-60 Hz | |
| Environment | Operating Temp. | 0~50°C |
| | Storage Temp. | -10~60°C |
| | Operating RH | 20%~80% |
| | Storage RH | 10%~90% |
| MTBF | 30,000 Hours | |
| LED Back Light Life(Typ.) | 30,000 Hours | |
| Power Consumption | 43.4w/2w (Standby) | |
| Mount Interface | 1)VESA 75mm and 100mm 2)Mount Bracket, Horizontal or Vertical | |
| OSD Control | Buttons | AUTO,+,POWER,-,MENU |
| | Function | Brightness, Contrast Ratio, Auto-adjust, Phase, Clock, H/V Location, Languages, Function, Reset |
| Touch Screen Type | 21.5" Projected Capacitive Touchscreen, 10 Points in Win7 | |
| Touch System Interface | USB | |
| Touch Response Time | ≤ 10ms | |
| Package Dimension | 605×195×400(2pcs in One Package) | |
| Agency Approval | CCC, ETL, FCC, CE, CB, RoHS | |
| Regular Warranty | 1 Year | |

NOTE: The display SPEC. will change follow the relevant LCD panel brand and model

Mechanical Dimensions



Revision History

| Revision | Date | Description |
|----------|------------|-----------------|
| 1.0 | 2017/06/07 | Initial Release |