



**Model: KOT-0315U-IR4P  
(PN: KOT-320P-010)**

**31.5" LCD Open frame IR Touch Monitor  
(the Dust-proof Type)**



## Product Feature

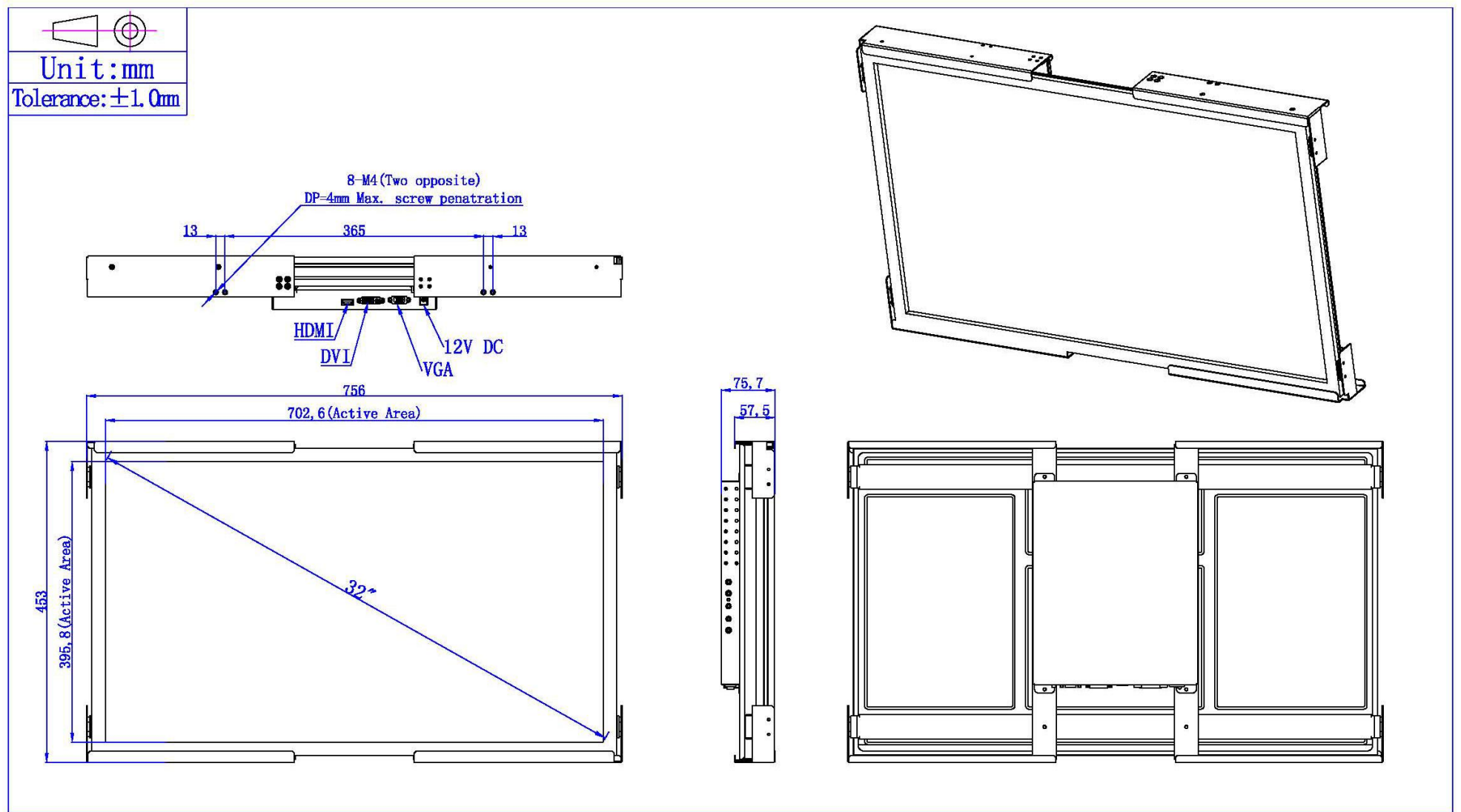
- ◆ IR with clear glass offer pristine optical clarity and touch durability
- ◆ Thin and light design
- ◆ Professional-grade hardware with strengthened touchscreen glass to withstand the rigors of public use
- ◆ High quality panel with high brightness, and broad viewing angle
- ◆ Long lasting product cycle-enclosure controlled by KeeTouch specifications
- ◆ Future generation panels phased-in without external changes
- ◆ USB touch interface port.
- ◆ VGA and DVI and HDMI input video format.
- ◆ Worldwide agency approvals.
- ◆ CCC, ETL, FCC, CE, UL, CB, RoHS certificates
- ◆ Other size can be customized

## Specification

<b>Model No.</b>	<b>KOT-0315U-IR4P(PN:KOT-320P-010)</b>	
<b>Series</b>	OT, Dust-proof	
<b>Display Type</b>	16:9 Ratio 31.5" a-Si TFT active matrix	
<b>Display Active Area</b>	702.6mm×395.8mm	
<b>Touch Monitor Dimensions</b>	Width: 756mm Height: 453mm Depth: 75.7mm	
<b>Suggested Resolution</b>	1920x1080@60Hz	
<b>Support Colors</b>	16.7M	
<b>Brightness(Typ.)</b>	Pure LCD Panel (Brightness from 300~1000cd/m <sup>2</sup> can be customized)	280cd/m <sup>2</sup>
<b>Display Response Time(Typ.)</b>	8ms	
<b>Viewing Angle (Typ.at CR&gt;10)</b>	Horizontal(left/right)	89°/89°
	Vertical(up/down)	89°/89°
<b>Contrast Ratio(Typ.)</b>	3000:1	
<b>Video Input</b>	VGA and DVI and HDMI	
<b>Frequency(H/V)</b>	30~80KHz / 60~75Hz	
<b>Power Supply</b>	Type: External brick Input (line) voltage: 100-240 VAC, 50-60 Hz	
<b>Environment</b>	Operating Temp.	0~50°C
	Storage Temp.	-20~60°C
	Operating RH	20%~80%
	Storage RH	10%~90%
<b>MTBF</b>	50,000 Hours	
<b>Back Light Life(Typ.)</b>	50,000 Hours	
<b>Weight(N.W/G.W)</b>	13Kg/15Kg (Approx.)	
<b>Package Dimensions</b>	851*553*153(mm)	
<b>Power Consumption</b>	32W Max.	
<b>Standby Power Consumption</b>	1.54W	
<b>OSD Control</b>	Buttons	AUTO,+,POWER,-,MENU
	Function	Brightness, Contrast Ratio, Auto-adjust, Phase, Clock, H/V Location, Languages, Function, Reset
<b>Touch Screen Type</b>	31.5" IR touch screen, 2 points	
<b>Touch System Interface</b>	USB	
<b>Touch Response time</b>	8ms	
<b>Agency Approval</b>	CCC, ETL, FCC, CE, RoHS	
<b>Regular Warranty</b>	1 Year	

**NOTE: The display SPEC. will change follow the relevant LCD panel brand and model**

## Mechanical Dimensions



## Revision History

Revision	Date	Description
1.0	2017/06/07	Initial Release