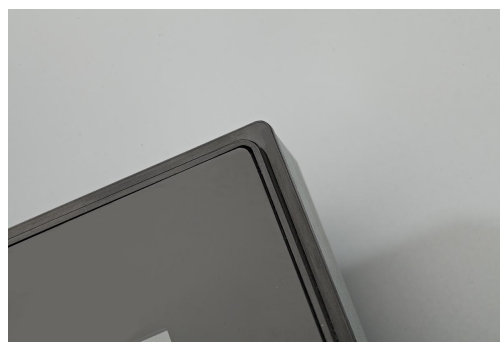




**Model: KOT-0190U-CA4P
(PN: KOT-190P-050)**

**19" LCD Open Frame PCAP Touch Monitor
(Pure Flat, LED Backlight)**



Product Feature

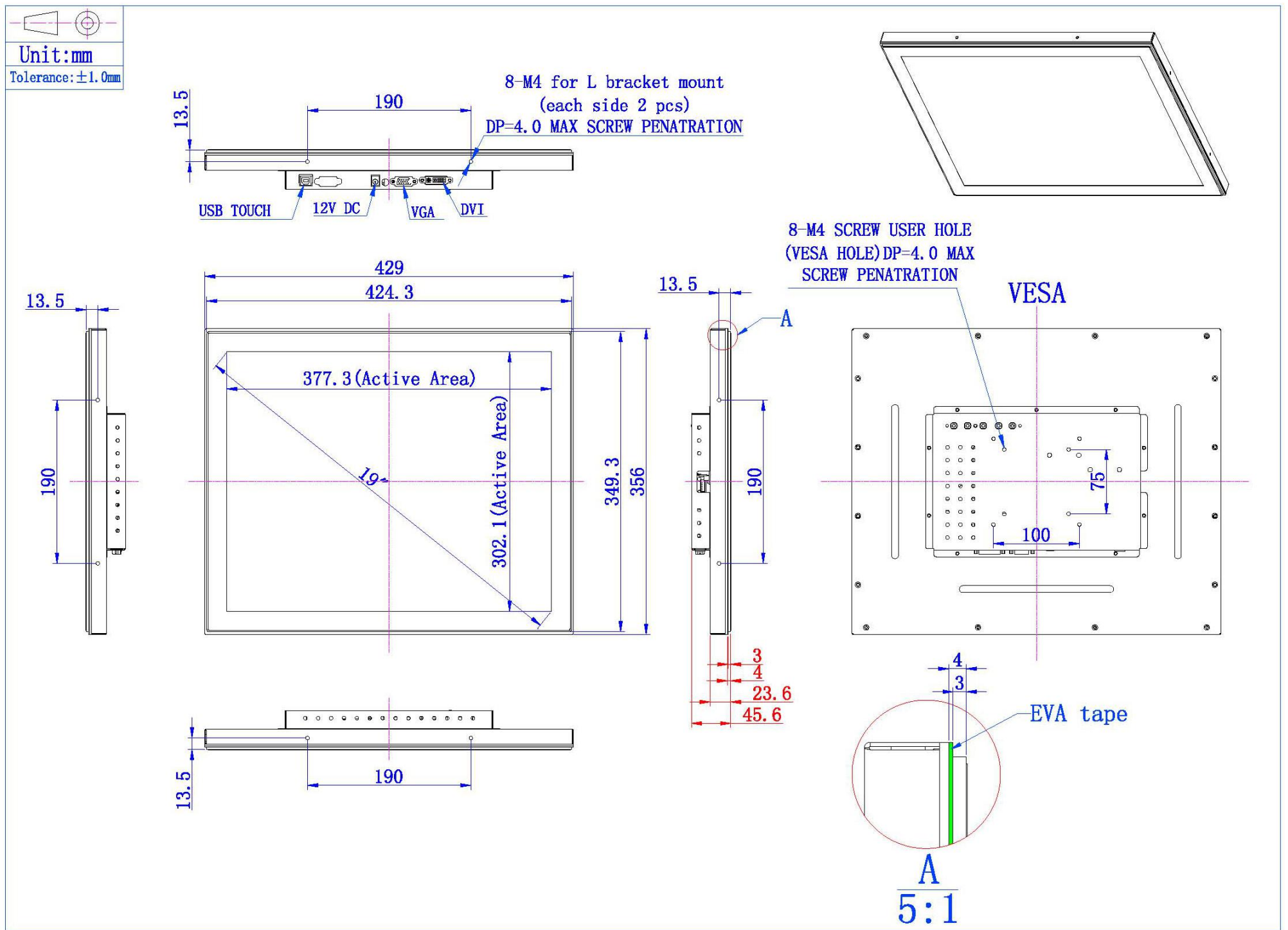
- ◆ Future generation panels phased-in without external changes.
- ◆ High quality panel with high brightness, high contrast ratio and broad viewing angle.
- ◆ Multiple mounting options including VESA mount, horizontal bracket-mount.
- ◆ Easy integration from side
- ◆ Finger or stylus operation.
- ◆ USB touch interface port.
- ◆ VGA/DVI input video format.
- ◆ Worldwide agency approvals.

Specification

Model No.	KOT-0190U-CA4P	
Series	OT, Pure Flat	
Display Type	5:4Ratio 19" Active Matrix TFT-LCD, LED Backlight	
Display Active Area	14.8" (376.3mm)×11.85" (301mm)	
Touch Active Area	14.85" (377.32mm)×11.89" (302.06mm)	
Monitor Dimensions	Width: 429mm Height: 356mm Depth: 45.6mm for 4.3mm Touchscreen	
Suggested Resolution	1280×1024 @ 60Hz	
Support Colors	16.7M	
Brightness(Typ.)	Pure LCD Panel (Brightness from 300~1000cd/m ² can be customized)	250cd/m ²
	With Projected Capacitive Touchscreen	212cd/m ²
Response Time(Typ.)	5ms	
Viewing Angle (Typ.at CR>10)	Horizontal(Left/Right)	85°/85°
	Vertical(Up/Down)	80°/80°
Privacy Filter (60°)	Optional	
Contrast Ratio(Typ.)	1000:1	
Video Input	VGA and DVI	
Frequency(H/V)	30~80KHz / 60~75Hz	
Power Supply	Type: External Brick Input (Line) Voltage: 100-240 VAC, 50-60 Hz	
Environment	Operating Temp.	0~50°C
	Storage Temp.	-10~60°C
	Operating RH	20%~80%
	Storage RH	10%~90%
MTBF	30,000 Hours	
LED Back Light Life(Typ.)	30,000 Hours	
Weight(Approx.)	N.W: 5.4kg; G.W: 7.15kg (Single)/13.4kg (2pcs in One Package)	
Power Consumption	15.2w/0.88w (Standby)	
Mount Interface	1)VESA 75mm and 100mm 2)Mount Bracket, Horizontal or Vertical	
OSD Control	Buttons	AUTO,+,POWER,-,MENU
	Function	Brightness, Contrast Ratio, Auto-adjust, Phase, Clock, H/V Location, Languages, Function, Reset
Touch Screen Type	19" Projected Capacitive Touchscreen, 10 Points in Win7	
Touch System Interface	USB	
Touch Response Time	≦ 10ms	
Package Dimension	525*195*455mm(2pcs in One Package)	
Agency Approval	CCC, ETL, FCC, CE, CB, RoHS	
Regular Warranty	1 Year	

NOTE: The display SPEC. will change follow the relevant LCD panel brand and model

Mechanical Dimensions



Revision History

Revision	Date	Description
1.0	2016/10/08	Initial Release