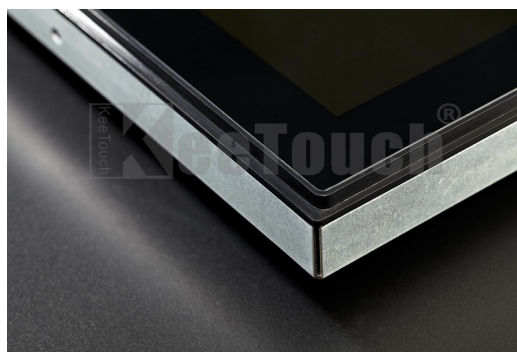




**Model: KOT-0185U-CA4P
(PN: KOT-185P-007)**

18.5" LCD Open Frame PCAP Touch Monitor

(The Narrow Edge Type)



Product Feature

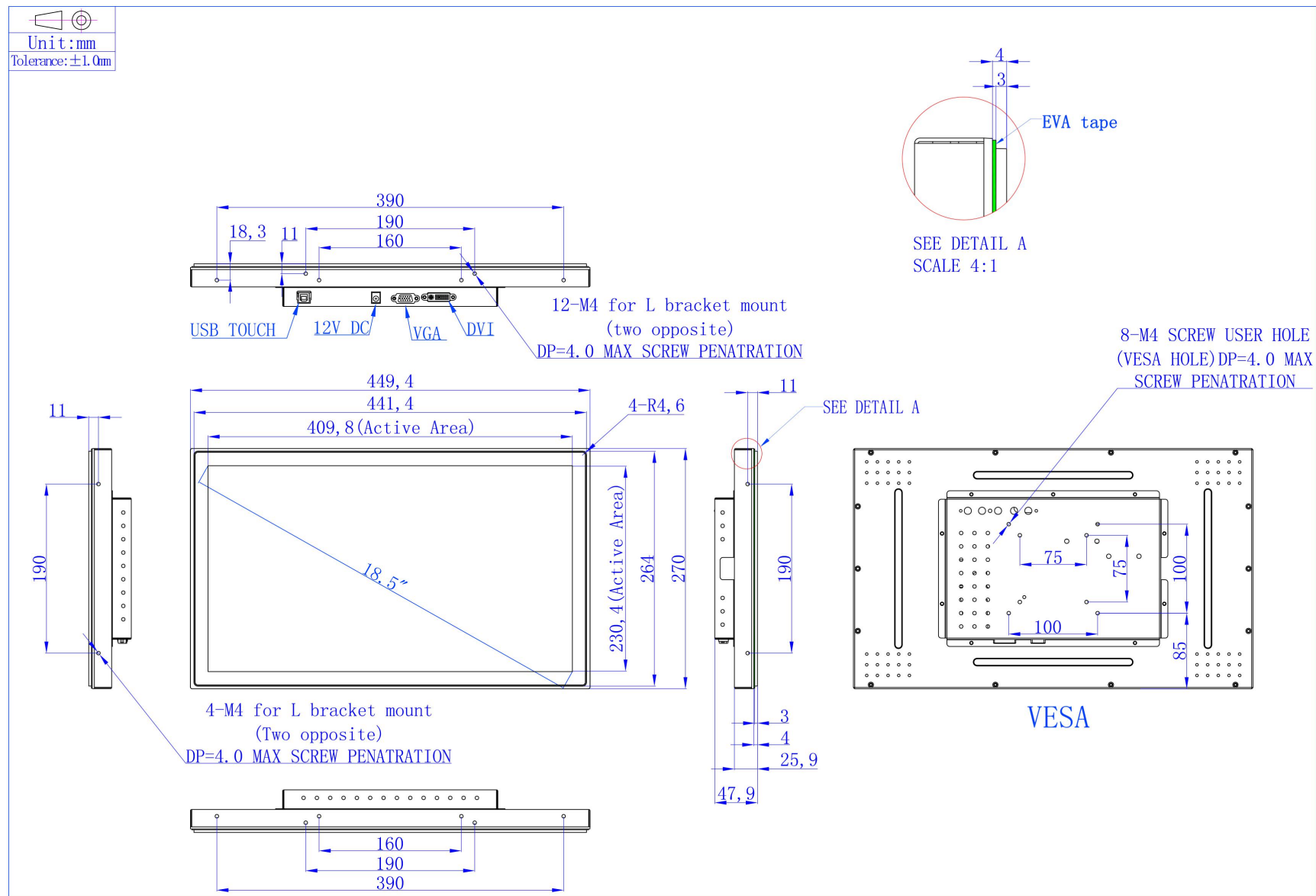
- ◆ Narrow edge flat display touch solutions.
- ◆ Long lasting product cycle-enclosure controlled by KeeTouch specifications, so that future upgrades do not bring external size changes.
- ◆ High brightness, high contrast ratio and broad viewing angle.
- ◆ Multiple mounting options including horizontal bracket mount, vertical bracket mount and VESA mount.
- ◆ USB touch interface port.
- ◆ VGA/DVI input video format.
- ◆ CCC,ETL,FCC,CE,CB,UL,RoHS certificates.

Specification

Model No.	KOT-0185U-CA4P	
Series	OT, Narrow Edge	
Display Type	16:9 Ratio 18.5 " Active Matrix TFT-LCD, LED Backlight	
Display Active Area	409.8(mm)×230.4(mm)	
Touch Monitor Dimensions	Width: 449.4mm Height: 270mm Depth: 47.9mm	
Suggested Resolution	1366X768 @ 60Hz	
Support Colors	16.7M	
Brightness(Typ.)	Pure LCD Panel	250cd/m ²
	With Projected Capacitive Touchscreen	212cd/m ²
Response Time(Typ.)	5ms	
Viewing Angle (Typ.at CR>10)	Horizontal(Left/Right)	85°/85°
	Vertical(Up/Down)	80°/80°
Contrast Ratio(Typ.)	1000:1	
Video Input	VGA/DVI	
Frequency(H/V)	37.8~68.4KHz / 50~76Hz	
Power Supply	Type: External Brick Input (Line) Voltage: 100-240 VAC, 50-60 Hz	
Environment	Operation Temp.	0~50°C
	Storage Temp.	-20~60°C
	Operation RH	20%~80%
	Storage RH	10%~90%
MTBF	30,000 Hours	
LED Back Light Life(Typ.)	30,000 Hours	
Weight(N.W/G.W)	3.64kg(1pcs) / 8.93kg (2pcs in One Package)	
Package Dimensions	525(L)*190(W)*380(H)mm (2pcs in One Package)	
Power Consumption	13W/0.6W(Stand by)	
Mount Interface	1)VESA 75mm and 100mm 2)Mount Bracket, Horizontal or Vertical	
OSD Control	Buttons	AUTO,+,POWER,-,MENU
	Function	Brightness, Contrast Ratio, Auto-adjust, Phase, Clock, H/V Location, Languages, Function, Reset
Touch Screen Type	18.5"Projected Capacitive 4.3mm Touchscreen (10 Points Touch for Win7)	
Touch System Interface	USB	
Touch Response Time	≦10ms	
Agency Approval	CCC, ETL, FCC, CE, CB, RoHS	
Regular Warranty	1 Year	

NOTE: The display SPEC. will change follow the relevant LCD panel brand and model

Mechanical Dimensions:



Record of revision

Version/ Date	Old Description	New Description
1.0 2017/07/17	First Edition FW	