



Model: KOT-0270US-SA4BP

27" LCD Open frame SAW Touch Monitor

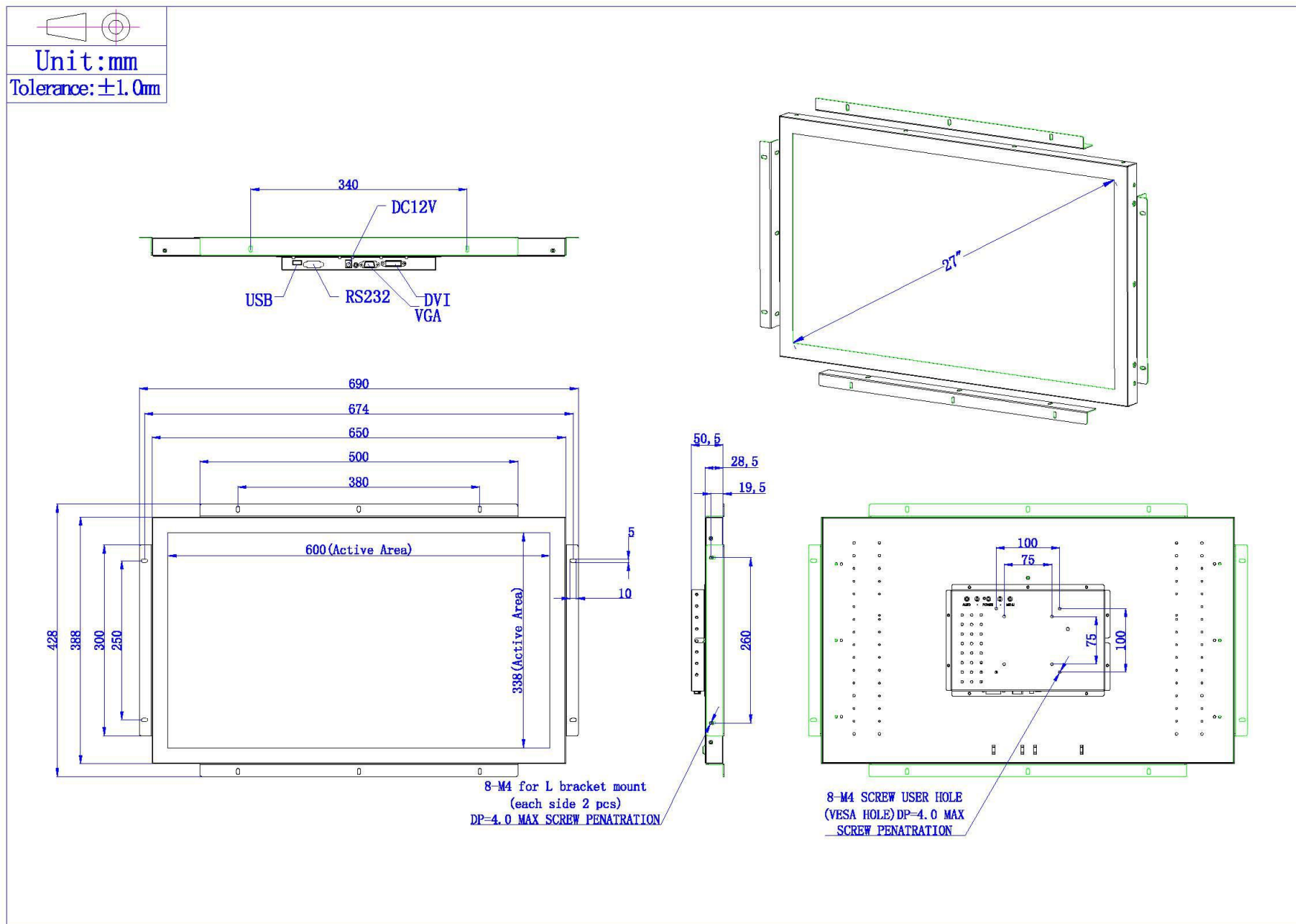
(Dust-Proof)

Specification

Model No.	KOT-0270US-SA4BP	
Series	OT	
Display Type	16:9 Ratio 27 " (diagonal) TFT-LCD TN Mode, Normally White	
Active Area	597.60 mm×336.15mm	
Suggested Resolution	1920×1080 @ 60Hz	
Support Colors	16.7M	
Brightness (Typ.)	Pure LCD Panel	300cd/m ² (Brightness from 300~1000cd/m ² can be customized)
	With SAW glass screen	270cd/m ²
Response Time (Typ.)	5ms	
Viewing Angle (Typ. at CR> 10)	Horizontal (left/right)	85°/85°
	Vertical (up/down)	80°/80°
Contrast Ratio (Typ.)	1000:1	
Video Input	VGA and DVI	
Frequency (H/V)	30~ 80KHz/ 60~ 75Hz	
Power Supply	Input (line) voltage: 100-240 VAC, 50-60 Hz Type: External brick	
Environment	Operating Temp.	0~50°C
	Storage Temp.	-20~60°C
	Operating RH	20%~80%
	Storage RH	10%~90%
MTBF	30,000 Hours	
Back Light Life(Typ.)	30,000 Hours	
Backlight Unit	LED	
Package Dimensions	805X233X553(mm) (2pcs in one package)	
Power Consumption	40W Max.	
Standby Power Consumption	0.60W	
OSD Control	Buttons	AUTO, RIGHT,LEFT,MENU,POWER
	Function	Brightness, Contrast Ratio, Auto-adjust, Phase, Clock, H/V Location, Languages, Function, Reset
Touch Screen Type	KeeTouch 27" SAW 4mm thickness of touch screen	
Touch System Interface	USB and RS232	
Agency Approval	CCC, ETL, FCC, CE, CB, RoHS	
Regular Warranty	1 Year	

NOTE: The display SPEC. will change follow the relevant LCD panel brand and model

Mechanical Dimensions



Revision History

Revision	Date	Description
1.0	2017/06/07	Initial Release

Add: Level1, 3, 4, BLD 9, Luck-King Industry Park Gongyedong Road, Longhua District, Shenzhen 518109, P. R. China
 Tel: +86-755-82599797 Fax: +86-755-82599968
 E-mail: sales@keetouch.com www.keetouch.com