



**Model: KOT-0190US-SA4BCW**

**19" LCD Open Frame SAW Touch Monitor**

**(The Water-Proof and Compact Type)**



## Product Feature

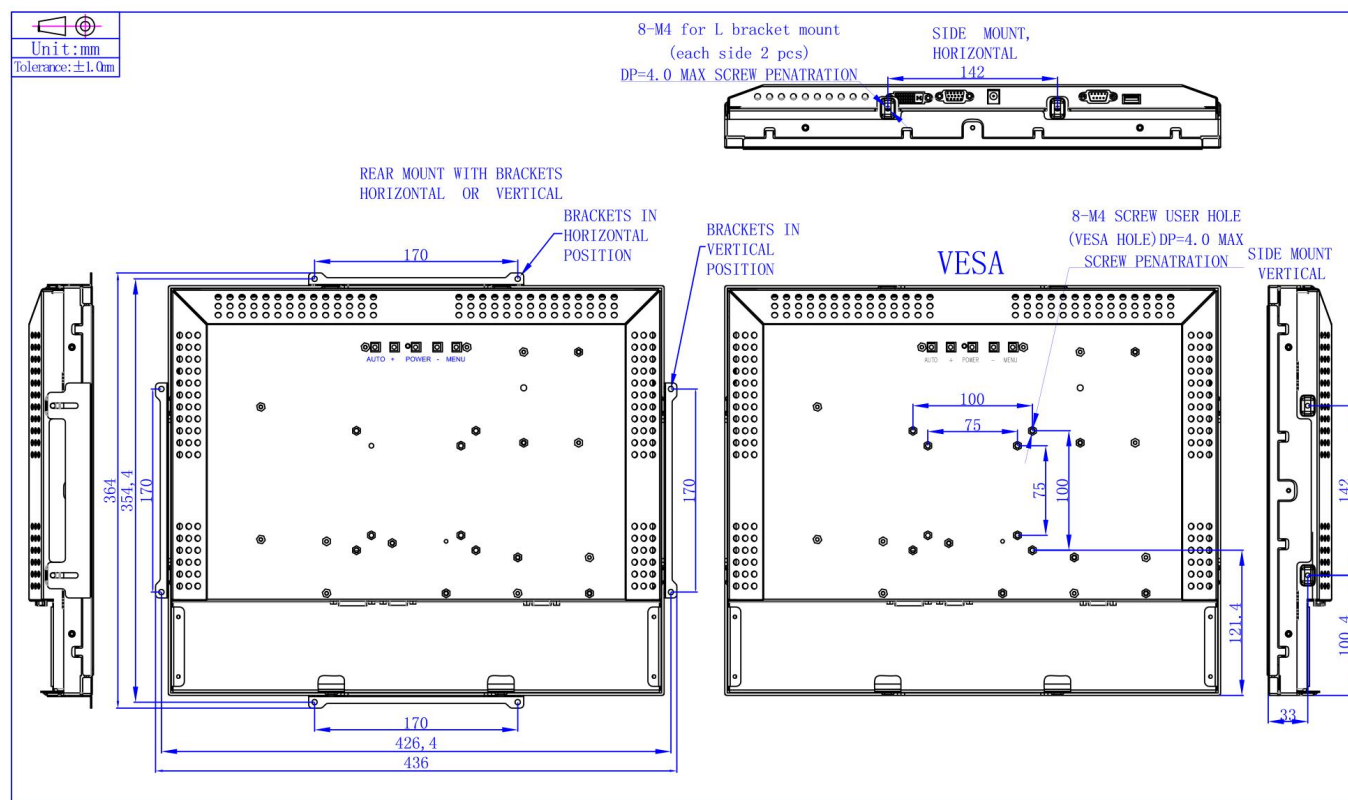
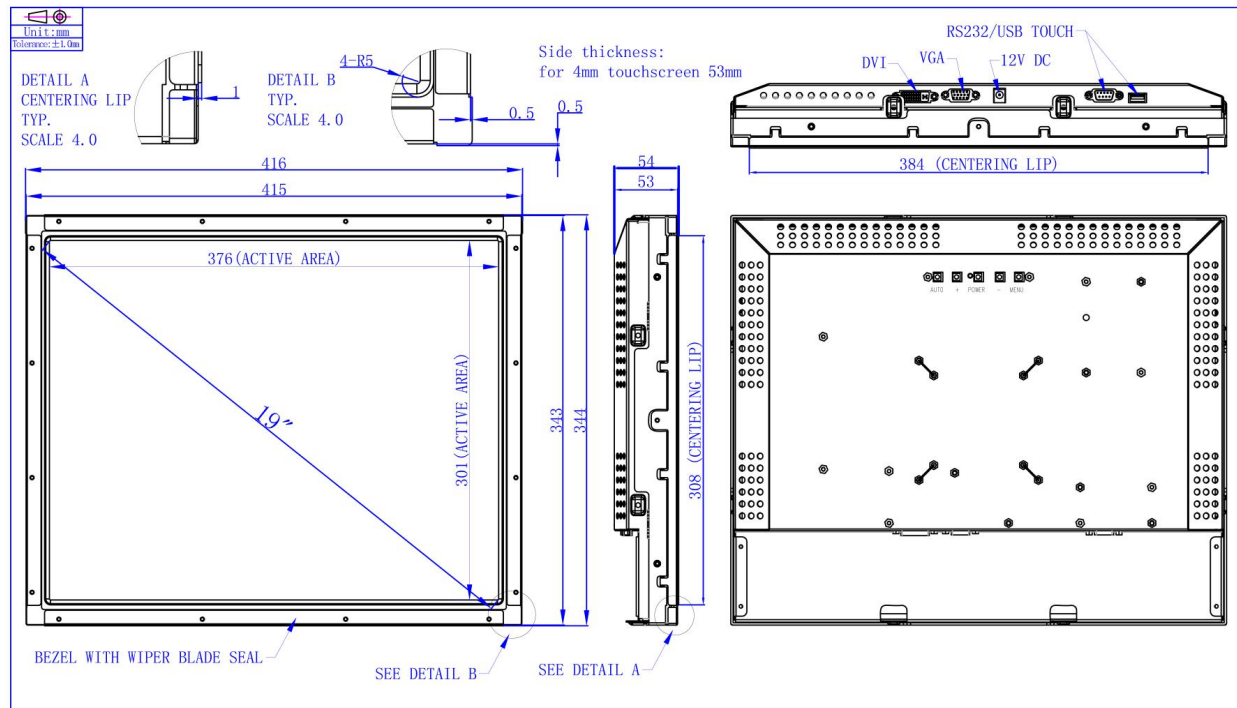
- ◆ Bezel seal standard: NEMA3 and IEC IP65
- ◆ Compact and slim profile for easy integration , multiple mounting options including VESA mount ,horizontal or vertical bracket-mount
- ◆ Long lasting product cycle-enclosure controlled by KeeTouch specifications
- ◆ Future generation panels phased-in without external changes
- ◆ High quality panel with high brightness, high contrast ratio and broad viewing angle
- ◆ KeeTouch's SAW technology on pure glass for the ultimate in image quality
- ◆ Dual USB and RS232 touch interface port
- ◆ Dual VGA and DVI input video format
- ◆ Worldwide agency approvals.
- ◆ CCC, ETL, FCC, CE, UL, CB, RoHS certificates.

## Specification

<b>Model No.</b>	<b>KOT-0190US-SA4BCW</b>	
<b>Series</b>	OT, Water-Proof and Compact	
<b>Display Type</b>	5:4Ratio 19"Active Matrix TFT-LCD,LED Backlight	
<b>Display Active Area</b>	14.8"(376mm)×11.85"(301mm)	
<b>Touch Monitor Dimensions</b>	<b>Width:</b> 416mm <b>Width with Brackets:</b> 436 mm <b>Height:</b> 344mm <b>Height with Brackets:</b> 364mm <b>Depth:</b> 54mm (for 4mm Touchscreen Glass)	
<b>Suggested Resolution</b>	1280×1024@60Hz	
<b>Support Colors</b>	16.7M	
<b>Brightness(Typ.)</b>	Pure LCD Panel (Brightness from 300~1000cd/m <sup>2</sup> can be customized)	250cd/m <sup>2</sup>
	With SAW Glass Screen	225cd/m <sup>2</sup>
<b>Response Time(Typ.)</b>	5ms	
<b>Viewing Angle (Typ.at CR&gt;10)</b>	Horizontal(Left/Right):	85°/85°
	Vertical(Up/Down):	80°/80°
<b>Contrast Ratio(Typ.)</b>	1000:1	
<b>Video Input</b>	VGA and DVI	
<b>Frequency(H/V)</b>	30~80KHz / 60~75Hz	
<b>Power Supply</b>	Type: External Brick Input (Line) Voltage: 100-240 VAC, 50-60 Hz	
<b>Environment</b>	Operation Temp.	0~50°C
	Storage Temp.	-20~60°C
	Operation RH	20%~80%
	Storage RH	10%~90%
<b>MTBF</b>	30,000 Hours	
<b>LED Back Light Life(Typ.)</b>	30,000 Hours	
<b>Weight(N.W/G.W)</b>	5kg(Single) / 13.5kg(2pcs in One Package)	
<b>Package Dimensions</b>	530*250*460(mm) (2pcs in One Package)	
<b>Power Consumption</b>	16.47W Max.	
<b>Standby Power Consumption</b>	1.26W	
<b>Mount Interface</b>	1)VESA 75mm and 100mm 2)Mount Bracket, Horizontal or Vertical(Standard Mount Brackets Are Supplied)	
<b>OSD Control</b>	Buttons	AUTO,+,POWER,-,MENU
	Function	Brightness, Contrast Ratio, Auto-adjust, Phase, Clock, H/V Location, Languages, Function, Reset
<b>Touch Screen Type</b>	KeeTouch 19" SAW 4mm Compact Touchscreen	
<b>Touch System Interface</b>	Having USB and Serial(RS232)Interface	
<b>Touch Response time</b>	USB/Serial: 8.4/10.4ms	
<b>Agency Approval</b>	CCC, ETL, FCC, UL, CE, CB, RoHS	
<b>Regular Warranty</b>	1 Year	

NOTE: The display SPEC. will change follow the relevant LCD panel brand and model

## Mechanical Dimensions



## Revision History

Version/	Old Description	New Description
1.0 2014/06/27		Initial Release
2.0 2015/07/02	Monitor Dimensions Depth :51mm	Monitor Dimensions Depth :54mm
3.0 2016/06/30		Update Dimension Drawing

Add: Level1, 3, 4, BLD 9, Luck-King Industry Park Gongyedong Road, Longhua District, Shenzhen 518109, P. R. China

Tel: +86-755-82599797

Fax: +86-755-82599968

E-mail: sales@keetouch.com

www.keetouch.com