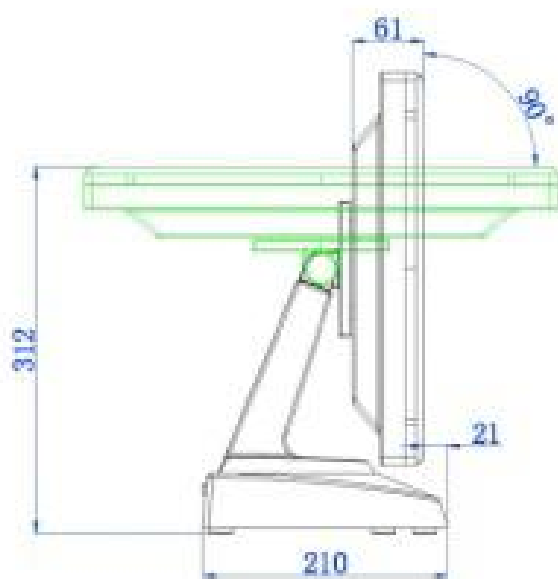


Product Feature

- ◆ Small footprint, hardened, flexible design
- ◆ Configurable performance of reliable service
- ◆ Outstanding configurability and customization options
- ◆ Durability to withstand the rigors of continuous use in a public environment
- ◆ ETL, FCC, CE, CB, RoHS, CCC certificates.

**17" Desktop Touch Monitor****(Five-wires RE, SAW, IR, PCAP) Dust-Proof Type****Applications**

- ◆ POS, POI terminals
- ◆ Point-of-services
- ◆ Customer loyalty systems
- ◆ In-store display
- ◆ Hospitality display

Specification		IR model	RE model	SAW model	PCAP model
Series		DT, Water-Proof	DT, Dust-Proof		
LCD Type		Active Matrix TFT-LCD, LED Backlight			
Display Active Area		338mm×272mm			
Support Colors		16.7M			
Suggested Resolution (Other resolution supported)		1280×1024@60Hz			
Aspect Ratio		5:4			
Display Response Time(Typ.)		5ms			
Brightness(Typ.)	Pure LCD Panel	250cd/m ²	250cd/m ²	250cd/m ²	250cd/m ²
	With PCAP Touchscreen	225cd/m ²	200cd/m ²	225cd/m ²	212cd/m ²
Brightness from 300~1000cd/m² can be customized					
Viewing Angle (Typ.at CR>10)	Horizontal (Left/ Right)	85°/ 85°			
	Vertical (Up/ Down)	80°/ 80°			
Video Input		VGA			
Frequency(H/V)		30~80KHz / 60~75Hz			
Power Supply		Type: External Brick Input (Line) Voltage: 100-240 VAC, 50-60 Hz			
Environment	Operating Temp.	0~50°C			
	Storage Temp.	-20~60°C			
	Operating RH	20%~80%			
	Storage RH	10%~90%			
MTBF		50,000 Hours			
Back Light Life(Typ.)		50,000 Hours			
Power Consumption		15.3W Max.			
Standby Power Consumption		0.56W Max.			
Mount options		Threaded-through mounting holes under base			
OSD Control		Brightness, Contrast Ratio, Auto-adjust, Phase, Clock, H/V Location, Languages, Function, Reset			
Touch System Interface		USB			
Agency Approval		ETL, FCC, CE, CB, RoHS, CCC			
Regular Warranty		1 Year			

NOTE: The display SPEC. will change follow the relevant LCD panel brand and model